

# CUSTOM-MADE CUTTING BOARD ORDER FORM

Phone: 800-257-7737 • Fax: 800-255-9866 • **FMPONLINE.COM**

**Instructions:** This order form **MUST** be used for all custom-made cutting boards. **PLEASE FILL OUT THE EXACT SPECIFICATIONS.**  
 Custom-made items are **NOT RETURNABLE.** You can fax this form or email it to **custommade@fmponline.com.**

**Shipping information (if different):**

Company Name \_\_\_\_\_ Account Number \_\_\_\_\_  
 Address \_\_\_\_\_  
 Phone Number \_\_\_\_\_ Fax Number \_\_\_\_\_  
 Email Address \_\_\_\_\_  
 Authorized By \_\_\_\_\_ Purchase Order Number \_\_\_\_\_

Name \_\_\_\_\_  
 Street Address \_\_\_\_\_  
 City/State/Zip \_\_\_\_\_

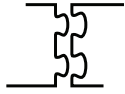
**Please Check One:**  Quote  Order

Quoted Price \_\_\_\_\_ Quoted By (Salesperson) \_\_\_\_\_

**Width** \_\_\_\_\_ "

**Length** \_\_\_\_\_ "

**Options:** (Check options needed)

Puzzle Cut 

Cut-outs

Drill Holes— specify hole diameter; measure hole location from edges to hole center

Gravy Groove

**PLEASE INDICATE SIZE AND LOCATION OF OPTIONS ON DRAWING AT RIGHT.**

## STANDARD CUTTING BOARDS

- Polyethylene material
- Withstands temperatures up to 165°F (74°C)
- Extreme heat may cause melting or warping
- Maximum size of 60" x 120" (1524mm x 3048mm)

**White Quantity\***

- \_\_\_\_\_ **No. 300-1229** ¼" (6mm) thick      \_\_\_\_\_ **No. 300-1037** 1" (25mm) thick
- \_\_\_\_\_ **No. 300-1035** ½" (13mm) thick
- \_\_\_\_\_ **No. 300-1036** ¾" (19mm) thick

**Black Quantity\***

- \_\_\_\_\_ **No. 300-1235** ½" (13mm) thick      \_\_\_\_\_ **No. 300-1100** ½" (13mm) thick
- \_\_\_\_\_ **No. 300-1236** ¾" (19mm) thick      \_\_\_\_\_ **No. 300-1231** ¾" (19mm) thick

**Green Quantity\***

- \_\_\_\_\_ **No. 300-1101** ½" (13mm) thick      \_\_\_\_\_ **No. 300-1102** ½" (13mm) thick
- \_\_\_\_\_ **No. 300-1232** ¾" (19mm) thick      \_\_\_\_\_ **No. 300-1233** ¾" (19mm) thick

**Brown Quantity\***

- \_\_\_\_\_ **No. 300-1038** ½" (13mm) thick      \_\_\_\_\_ **No. 300-1103** ½" (13mm) thick
- \_\_\_\_\_ **No. 300-1230** ¾" (19mm) thick      \_\_\_\_\_ **No. 300-1234** ¾" (19mm) thick

## RICHLITE® HIGH TEMPERATURE CUTTING BOARDS

by The Cutting Board Company

- Ideal for prep surfaces or under heat lamps, and for equipment applications, such as steam tables, griddle stands, bread warmers, or carving tables
- Can hold hot pots, fryer baskets, and skillets while cooling
- Maximum size of 48" x 96" (1219mm x 2438mm)
- Maximum temperature rating 350°F (177°C)
- Stain-resistant and dishwasher safe
- Resin-impregnated wood fiber

**Caramel Quantity\***

- \_\_\_\_\_ **No. 300-1237** ¼" (6mm) thick
- \_\_\_\_\_ **No. 300-1111** ½" (13mm) thick
- \_\_\_\_\_ **No. 300-1112** ¾" (19mm) thick
- \_\_\_\_\_ **No. 300-1113** 1" (25mm) thick

**Black Quantity\***

- \_\_\_\_\_ **No. 300-1238** ¼" (6mm) thick
- \_\_\_\_\_ **No. 300-1239** ½" (13mm) thick

\*Quantity must be filled in to place order.



**Franklin Machine Products**

*We Wrote the Book on Kitchen Parts and Accessories™*