



**CUSTOM-MADE GASKET ORDER FORM**

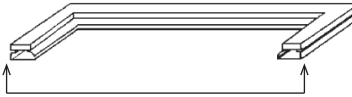
**Instructions:** Match the gasket profile to the existing gasket and measure gasket outside edge to outside edge (see diagram) **OR** provide the Model and Serial Number given on the data plate of the unit.

**Shipping Information (if different):**

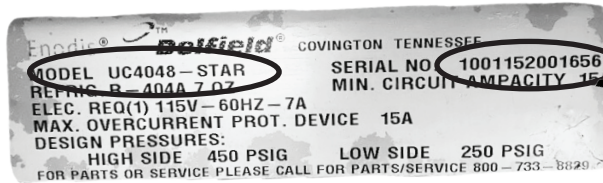
Company Name \_\_\_\_\_ Account Number \_\_\_\_\_  
 Address \_\_\_\_\_  
 Phone Number \_\_\_\_\_ Fax Number \_\_\_\_\_  
 Email Address \_\_\_\_\_  
 Authorized By \_\_\_\_\_ Purchase Order Number \_\_\_\_\_




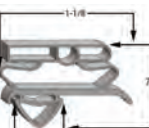






Name \_\_\_\_\_  
 Street Address \_\_\_\_\_  
 City/State/Zip \_\_\_\_\_

Please Check One:  Quote  Order \_\_\_\_\_  
 Quoted By (Salesperson) \_\_\_\_\_



**MEASURE OUTSIDE EDGE TO OUTSIDE EDGE TO THE NEAREST 1/8 INCH**



<p><b>PROFILE 016</b></p>  <p>(203-B, 300-1120, or 901028)        Common Fits: Beverage Air, Foster, Hussman, Kelvinator, Northland, McCall, Norlake, Perlick, True, Victory</p>	<p><b>PROFILE 165</b></p>  <p>(205-G, 300-1025, 901040, Style C, or 21100868)        Common Fits: American Panel, Beverage Air, Continental, Delfield, Hobart, Kelvinator, Kolpak, McCall, Thermo-Kool, Traulsen, Victory</p>
<p><b>PROFILE 180</b></p>  <p>(190, 300-1028, or 901032)        Common Fits: Kolpak</p>	<p><b>PROFILE 258</b></p>  <p>(300, 300-1217, or 901033)        Common Fits: True</p>
<p><b>PROFILE 494</b></p>  <p>(202-G, 300-1024, 901002, or Style B)        Common Fits: LaRosa, Dunhill, Glas Tender, Leer, Norlake, Traulsen</p>	<p><b>PROFILE 548</b></p>  <p>(407 or 300-1247)        Common Fits: Styline, Victory</p>
<p><b>PROFILE 582</b></p>  <p>(408 or 300-1248)        Common Fits: True</p>	<p><b>PROFILE 697</b></p>  <p>1.375"        Common Fits: Turbo Air</p>
<p><b>PROFILE 891</b></p>  <p>Common Fits: Delfield</p>	<p><b>PROFILE 959</b></p>  <p>(301, 300-1216, or 901030)        Common Fits: True</p>

Name Your Gasket: EXAMPLE GASKET Quantity: 3

Profile Number: <u>165</u>	Model Number: <u>UC4048-STAR</u>
Dimensions: Short Side: <u>3 1/8</u> Long Side: <u>6 5/8</u>	Serial Number: <u>1001152001656</u>
Please Check One: <input checked="" type="checkbox"/> 4 Sided <input type="checkbox"/> 3 Sided	

Name Your Gasket: \_\_\_\_\_ Quantity: \_\_\_\_\_

Profile Number: _____	Model Number: _____
Dimensions: Short Side: _____ Long Side: _____	Serial Number: _____
Please Check One: <input type="checkbox"/> 4 Sided <input type="checkbox"/> 3 Sided	

Name Your Gasket: \_\_\_\_\_ Quantity: \_\_\_\_\_

Profile Number: _____	Model Number: _____
Dimensions: Short Side: _____ Long Side: _____	Serial Number: _____
Please Check One: <input type="checkbox"/> 4 Sided <input type="checkbox"/> 3 Sided	

Name Your Gasket: \_\_\_\_\_ Quantity: \_\_\_\_\_

Profile Number: _____	Model Number: _____
Dimensions: Short Side: _____ Long Side: _____	Serial Number: _____
Please Check One: <input type="checkbox"/> 4 Sided <input type="checkbox"/> 3 Sided	

**DON'T SEE WHAT YOU NEED? WE HAVE OVER 80 ADDITIONAL GASKET PROFILES TO CHOOSE FROM. GIVE US A CALL!**