

GROCERY / GLASS DOOR GASKET ORDER FORM

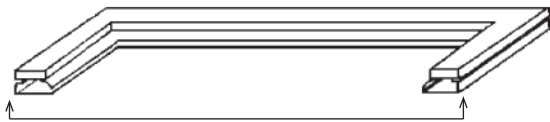
Instructions: Match the gasket profile to the existing gasket and measure gasket outside edge to outside edge (see diagram) **OR** provide the Work Order Number and Door Size given on the data plate of the unit found on the door.

Shipping Information (if different):

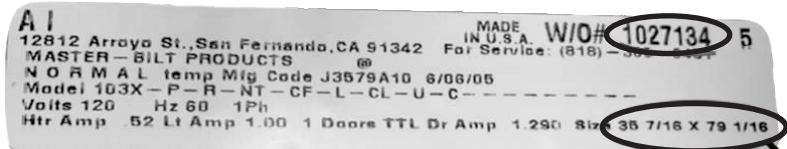
Company Name _____	Account Number _____
Address _____	
Phone Number _____	Fax Number _____
Email Address _____	
Authorized By _____	Purchase Order Number _____

Name _____
Street Address _____
City/State/Zip _____

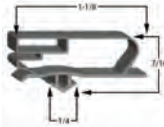
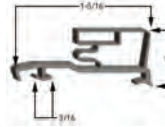






Please Check One: Quote Order _____
 Quoted By (Salesperson) _____



MEASURE OUTSIDE EDGE TO OUTSIDE EDGE TO THE NEAREST 1/8 INCH



*Work Order Numbers will come from the data plate on the door of the unit.

<p>PROFILE 227</p>  <p>(208, 300-1210, or 901025) Common Fits: Anthony</p>	<p>PROFILE 290</p>  <p>(302, 300-1221, or 901029) Common Fits: Ardco, Hobart, Norfolk, Schott Gemtron, Tyler</p>
<p>PROFILE 365</p>  <p>(309, 300-1211, or 901005) Common Fits: Anthony</p>	<p>PROFILE 385</p>  <p>(307 or 300-1211) Common Fits: Ardco</p>
<p>PROFILE 548</p>  <p>(407 or 300-1247) Common Fits: Styline, Victory</p>	<p>PROFILE 612</p>  <p>.25" .94" Common Fits: Anthony *Frame Gasket</p>
<p>PROFILE 632</p>  <p>(209, 300-1220, or 901026) Common Fits: Anthony, Schott Gemtron</p>	<p>PROFILE 782</p>  <p>(503 or 300-1253) Common Fits: Hussman, True, Turbo Air</p>

Name Your Gasket: EXAMPLE GASKET Quantity: 2

Profile Number: <u>227</u>	W/O Number: <u>1027134</u>
Dimensions: Short Side: <u>34 1/8</u> Long Side: <u>65 5/8</u>	OR Door Size: <u>35 7/16 X 79 1/16</u>
Please Check One: <input checked="" type="checkbox"/> 4 Sided <input type="checkbox"/> 3 Sided	

Name Your Gasket: _____ Quantity: _____

Profile Number: _____	W/O Number: _____
Dimensions: Short Side: _____ Long Side: _____	OR Door Size: _____
Please Check One: <input type="checkbox"/> 4 Sided <input type="checkbox"/> 3 Sided	

Name Your Gasket: _____ Quantity: _____

Profile Number: _____	W/O Number: _____
Dimensions: Short Side: _____ Long Side: _____	OR Door Size: _____
Please Check One: <input type="checkbox"/> 4 Sided <input type="checkbox"/> 3 Sided	

Name Your Gasket: _____ Quantity: _____

Profile Number: _____	W/O Number: _____
Dimensions: Short Side: _____ Long Side: _____	OR Door Size: _____
Please Check One: <input type="checkbox"/> 4 Sided <input type="checkbox"/> 3 Sided	

DON'T SEE WHAT YOU NEED? WE HAVE OVER 80 ADDITIONAL GASKET PROFILES TO CHOOSE FROM. GIVE US A CALL!